

W-series Lead Free Wave Soldering Machine



Introduction:

I.C.T W series lead-free wave soldering machine, after many years market testing, is I.C.T's mature product, W series lead-free wave soldering machine has long-term positive feedback from customers. Its unparalleled heating performance and temperature control system meet the requirements of various welding processes, especially energy saving design has been a leading-edge product advantage, maximum reducing the using cost for customers.

Features:

1. Nozzle: Japan Kuroda Seiko nozzles, adjustable atomizing area, ensuring the long time spray uniformity and reliability.
2. Spray control: PLC control or manually adjust switch, precise control the spray time, spray speed, economy and environmental protection, digital FLUX flow, spray flow, angle, density, width and other parameters can be recorded.
3. Temperature protection: Third-party over-temperature protection, multiple protection layers to ensure safe operation.
4. Products comply with CE, CCC, UL and other standards.
5. Heating module: Horizontal reflow design makes each heating zones not influenced by adjacent zones to ensure accurate temperature curve, while ensuring high production capacity and heat exchange capacity, and achieve high adaptive capacity (to meet the soldering of automotive electronics, communications, electronics, computers and mobile phones, and other consumer electronics).
6. Moving parts: PLC adjustment, stepper motor control, accuracy and stability, to ensure accurate spray.
7. Temperature control: PLC + PID independent temperature control, real-time monitoring preheat temperature.
8. Core components: Using imported components to ensure long-term stability of equipment operation, reduced maintenance costs.
9. Can choose different configurations of flux processing system, to ensure the furnace hall clean.
10. It adopts Japanese SURF high temperature resistance and anti-corrosion treatment technology specially for solder, which has excellent anti-corrosion and high temperature resistance functions and longer service life.

TOP Advantage:

Simple: combined with advanced international concepts, based on the Oriental-designed operating system, easy to understand, easy to learn, easy to maintain.

Expertise: learn imported reflow oven's advanced design concepts, and the components are using imported top brands.

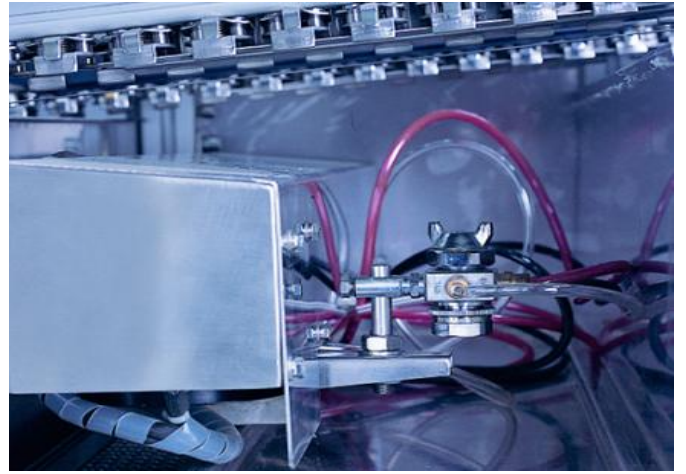
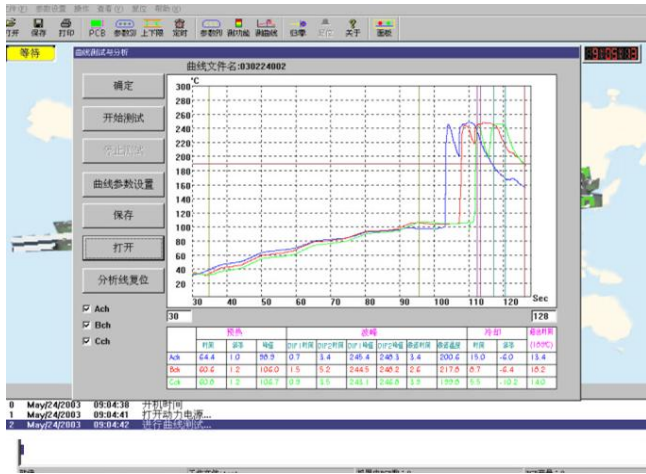
Hedging: Import hardware configuration, low failure rate in production, more than a decade service life.

Safety: based on the general rules of international design, close to imported wave soldering rating, the highest security level.

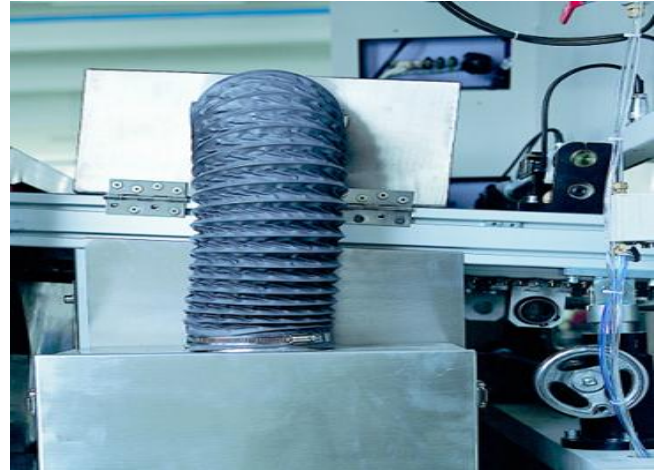
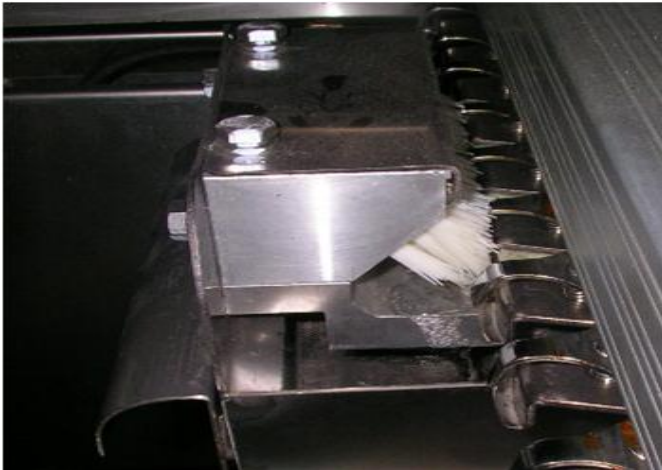
Stable: mature software, hardware and top production processes ensures stability of each equipment.

Products Pictures:

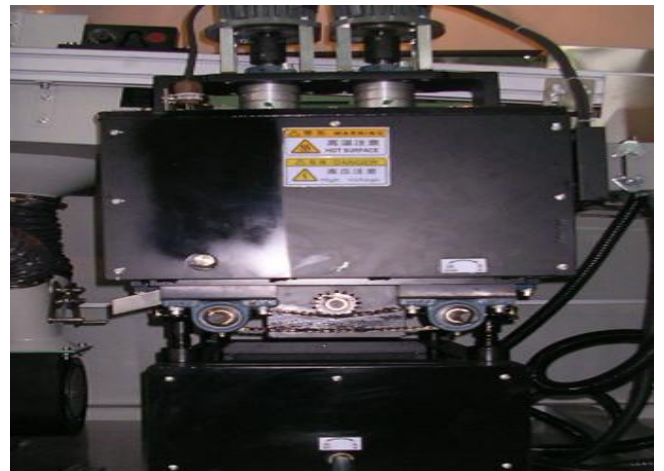
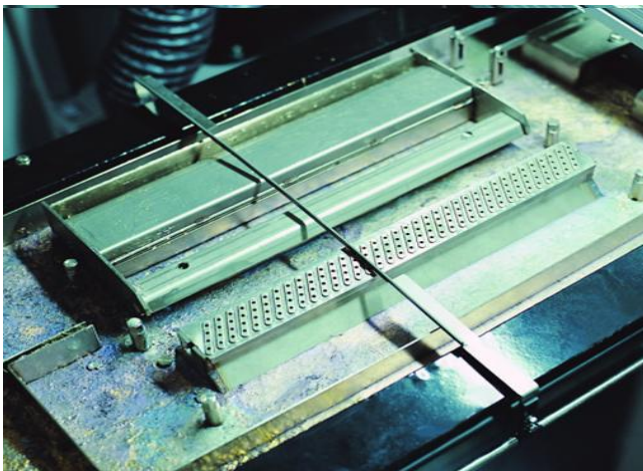
1. Temperature curve and spray nozzle



2. Chamber and high temperature parts



3. Solder Pot



Specification:

Model	W2
Dimension	2900*1160*1500mm
Weight	Approx.790kg
Power Supply	3P5W, 380/220V 50Hz
Startup Power	16kw
Operation Power	7kw
Control System	Touch Screen + PLC
Spray System	
Transmission Method	Step motor
Spray Pressure	0.25Mpa--0.4Mpa
Flux Flow	10--100ml/min
Exhaust Diameter	Φ200mm
Exhaust Capacity	25m ³ /min
Preheating System	
Preheating Mode	Hot air
Control Mode	PID + SSR
Preheating Zone	1
Preheating Length	900mm
Preheating Temp.	(Room Temperature)-250℃
Warm-up Time	Approx.15min (setting 150℃)
Conveyor System	
PCB Width	60~350mm
Conveyor Speed	0-2000mm/min
Conveyor Height	750±20mm
Finger	Double hook claw (Standard)
Conveyor Width Control	Manually
Conveyor Angle	4~7degree
Soldering System	
Solder Pot Style	Mechanical Motor drive
Solder Pot Material	Stainless Steel with Anti-corrosion Coating (Standard)
Solder Pot Temperature	300℃
Solder Pot Capacity	Lead-free 250kg
Nitrogen System (Option)	
Consumption	12m ³ /H 1000PPM
Pressure	0.5-0.8MPa
Flowmeter	3
N ₂ Sources	≤10PPM
Other	
Finger Cleaning System	Brush

Configuration:

No.	Item	Brand	Note
1	Spray nozzle	Kuroda	Japan
2	PLC	XINJE	Taiwan
3	Solid relay	Schenider	France
4	Relay base	Schenider	France
5	Contactora	Schenider	France
6	Wire	Jinglongyu	China
7	Air switch	DELIXI/FATO	China
8	Power supply	MW	Taiwan
9	Converter	Delta	Taiwan
10	Magnetic valve	AIRTAC	Taiwan
11	High temp. motor	TCG	Taiwan
12	Thermal fuse	Hotset	Germany
13	Three-color light	Dahong	China

Standard Accessories:

No.	Item	Quantity
1	Heating plate	1 pcs
2	Finger	10 pcs
3	Chain buckle	10 pcs
4	Relay	2 pcs
5	Solid state relay	1 pcs
6	Air switch	1 pcs
7	K-type temperature test line	1 pcs
8	Manual	1 book
9	Tool case	1 set

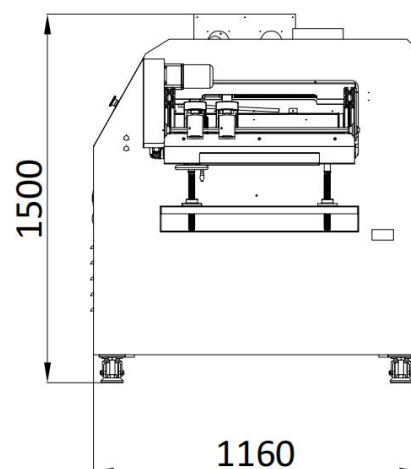
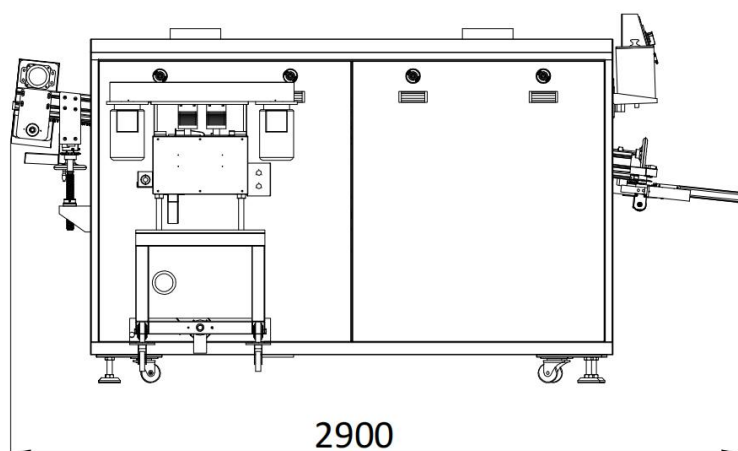
* I.C.T keeps working on quality and performance, specifications and appearance may be updated without particular notice.

Recommend Spare Parts:

No.	Item	Quantity
1	Transport motor	1 pcs
2	Width-adjusting motor	1 pcs
3	Origin sensor	1 pcs
4	Limit sensor	1 set
5	24V switching power supply	1 pcs
6	Main power switch	1 pcs
7	EMG switch	1 pcs

8	Pre-heat pipe	1 pcs
9	Hot air motor	1 pcs
10	Wave motor	1 pcs
11	Fuse 220V 1A	2 pcs
12	Heat Oil, HT-ALPHA1, 16KG/bucket	1 bucket
13	Temperature Check line&Temperature Check Pin	2 pcs
14	Thermocouple	1 pcs

Dimensions:



YouTube Video Link: <https://youtu.be/72T4J5c-ySM>

Thanks for choosing I.C.T.
I.C.T looks forward to win-win cooperation.
Thank you.